

MOTO

Motorcycle trailer



Standard equipment

- | | |
|--|-------------------------|
| · Wedge for blocking wheels of the car trailer | · Support wheel |
| · Lowerable and foldable chassis | · Hydraulic pump |
| · Load securing holders | · LED lighting |
| · Powder painting, black color RAL 9005 | · Set of belt fasteners |

Optional equipment

- | | |
|------------------------------|------------------|
| · Spare wheel with mountings | · Aluminium rims |
| · Anti-theft protection | · Bicycle holder |

Follow
your lead

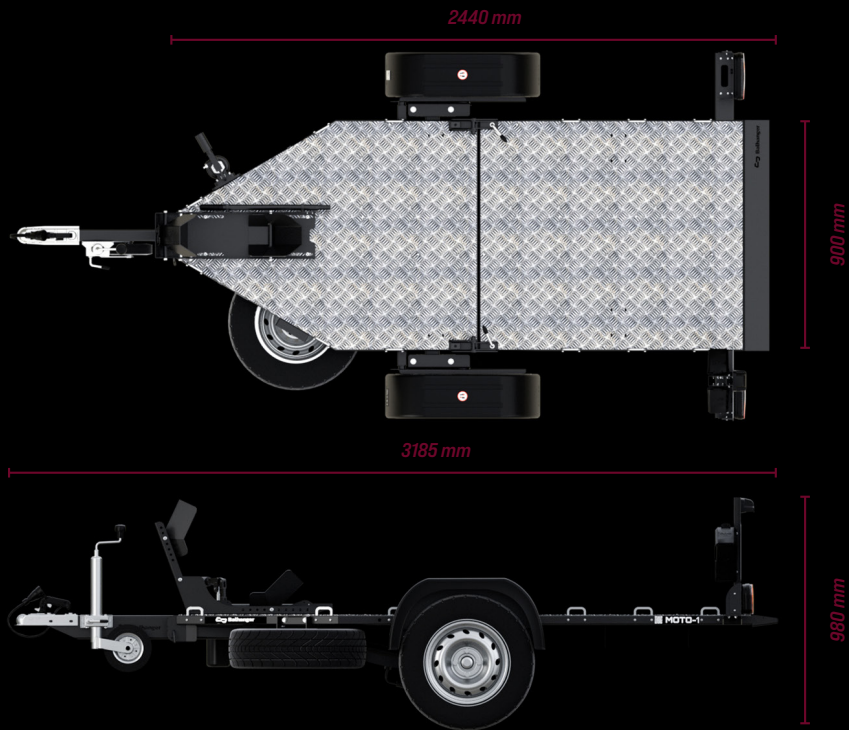


Specification

Series	Cargo dimensions [mm]	External dimensions (L x W x H) [mm]	PMW [kg]	Tare weight [kg]	Max cargo capacity [kg]	Type of wheels	Load angle
MOTO	2400 x 900	3195 x 1565 x 980	750	180	570	R13	7°

 **Balhanger**

MOTO
Dimension drawings



www.balhanger.com
balhanger@balhanger.com